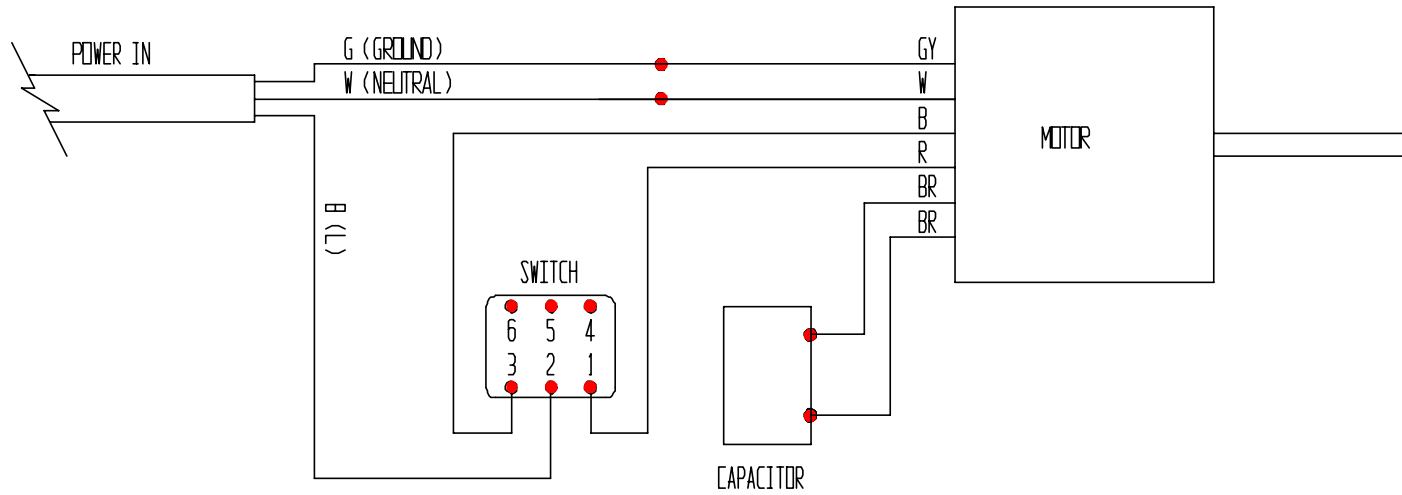


This drawing and the information contained thereon is proprietary to DRI-EAZ PRODUCTS, INC. and shall not be released to any party without the express written consent of DRI-EAZ.

DRI-EAZ PRODUCTS INC.
15180 JOSH WILSON RD.
BURLINGTON, VA 98233

REVISIONS				
LTR	ECD	DESCRIPTION	CHK'D	DATE
A	-	RELEASED TO PRODUCTION		



WIRING COLOR CODES

B = BLACK
G = GREEN
W = WHITE
GY = GREEN/YELLOW
BR = BROWN
BL = BLUE
R = RED

TOLERANCES UNLESS OTHERWISE SPECIFIED:		DRI-EAZ PRODUCTS INC. 15180 JOSH WILSON RD. BURLINGTON, VA 98233				
TITLE: WIRING DIAGRAM (ACE 115V)						
DR BY: L WHITE	DATE: 6/12/02	SIZE: A	NEXT ASSEMBLY: F259	REV: A	DWG NO. 02-00289	
CHK'D BY: M MILLER	DATE: 6/12/02	SCALE: NTS	SHEET: 1 OF 1			